

07/07/16

Number of documents: 11

CA2839099	Heating smokeable material BRITISH AMERICAN TOBACCO
CA2839806	Heat insulated apparatus for heating smokable material BRITISH AMERICAN TOBACCO
CA2845754	Heating smokable material BRITISH AMERICAN TOBACCO
WO201334455	Insulating BRITISH AMERICAN TOBACCO
WO201334456	Heating smokable material BRITISH AMERICAN TOBACCO
WO201334454	Heating smokeable material BRITISH AMERICAN TOBACCO
WO2013128176	Delivery devices and units therefor BRITISH AMERICAN TOBACCO
WO2013131764	Heating smokable material BRITISH AMERICAN TOBACCO
WO2013131763	Heating smokable material BRITISH AMERICAN TOBACCO
WO201334452	Heating smokeable material BRITISH AMERICAN TOBACCO
WO201334453	Heating smokeable material BRITISH AMERICAN TOBACCO

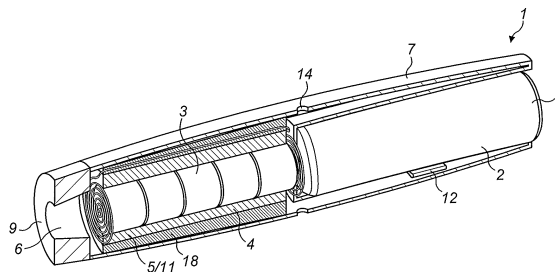
Heating smokeable material CA2839099

<ul style="list-style-type: none"> • Patent Assignee BRITISH AMERICAN TOBACCO • Inventor EGOYANTS PETR VOLOBUEV DMITRY FIMIN PAVEL ABRAMOV OLEG CHECHURIN LEONID MITNIK-GANKIN LUBA • International Patent Classification A24D-001/08 A24F-047/00 A61M-015/06 • US Patent Classification PCLO=131329000 • CPC Code A24F-047/00/8 	<ul style="list-style-type: none"> • Publication Information CA2839099 A1 2013-03-14 [CA2839099] • Priority Details 2011RU-0136869 2011-09-06 2012GB-0007054 2012-04-23 2012WO-EP66524 2012-08-24 2013RU-0155701 2012-08-24 GB2011136869 2011-09-06 																																																																								
<ul style="list-style-type: none"> • Fampat family <table style="width: 100%; border-collapse: collapse; margin-top: 5px;"> <tr> <td style="width: 30%;">CA2839099</td> <td style="width: 10%;">A1</td> <td style="width: 20%;">2013-03-14</td> <td style="width: 40%;">[CA2839099]</td> </tr> <tr> <td>WO2013034459</td> <td>A1</td> <td>2013-03-14</td> <td>[WO201334459]</td> </tr> <tr> <td>TW201343090</td> <td>A</td> <td>2013-11-01</td> <td>[TW201343090]</td> </tr> <tr> <td>TW201343091</td> <td>A</td> <td>2013-11-01</td> <td>[TW201343091]</td> </tr> <tr> <td>TW201343089</td> <td>A</td> <td>2013-11-01</td> <td>[TW201343089]</td> </tr> <tr> <td>AU2012306504</td> <td>A1</td> <td>2014-01-16</td> <td>[AU2012306504]</td> </tr> <tr> <td>CN103763953</td> <td>A</td> <td>2014-04-30</td> <td>[CN103763953]</td> </tr> <tr> <td>KR20140068807</td> <td>A</td> <td>2014-06-09</td> <td>[KR20140068807]</td> </tr> <tr> <td>AR088436</td> <td>A1</td> <td>2014-06-11</td> <td>[AR--88436]</td> </tr> <tr> <td>EP2753202</td> <td>A1</td> <td>2014-07-16</td> <td>[EP2753202]</td> </tr> <tr> <td>US2014202476</td> <td>A1</td> <td>2014-07-24</td> <td>[US20140202476]</td> </tr> <tr> <td>JP2014518096</td> <td>A</td> <td>2014-07-28</td> <td>[JP2014518096]</td> </tr> <tr> <td>BR112013032558</td> <td>A1</td> <td>2014-08-12</td> <td>[BR112013032558]</td> </tr> <tr> <td>AU2012306504</td> <td>B2</td> <td>2015-08-20</td> <td>[AU2012306504]</td> </tr> <tr> <td>JP5808490</td> <td>B2</td> <td>2015-11-10</td> <td>[JP5808490]</td> </tr> <tr> <td>RU2013155701</td> <td>A</td> <td>2015-11-27</td> <td>[RU2013155701]</td> </tr> <tr> <td>UA110646</td> <td>C2</td> <td>2016-01-25</td> <td>[UA-110646]</td> </tr> <tr> <td>EP2753202</td> <td>B1</td> <td>2016-04-27</td> <td>[EP2753202]</td> </tr> </table> 		CA2839099	A1	2013-03-14	[CA2839099]	WO2013034459	A1	2013-03-14	[WO201334459]	TW201343090	A	2013-11-01	[TW201343090]	TW201343091	A	2013-11-01	[TW201343091]	TW201343089	A	2013-11-01	[TW201343089]	AU2012306504	A1	2014-01-16	[AU2012306504]	CN103763953	A	2014-04-30	[CN103763953]	KR20140068807	A	2014-06-09	[KR20140068807]	AR088436	A1	2014-06-11	[AR--88436]	EP2753202	A1	2014-07-16	[EP2753202]	US2014202476	A1	2014-07-24	[US20140202476]	JP2014518096	A	2014-07-28	[JP2014518096]	BR112013032558	A1	2014-08-12	[BR112013032558]	AU2012306504	B2	2015-08-20	[AU2012306504]	JP5808490	B2	2015-11-10	[JP5808490]	RU2013155701	A	2015-11-27	[RU2013155701]	UA110646	C2	2016-01-25	[UA-110646]	EP2753202	B1	2016-04-27	[EP2753202]
CA2839099	A1	2013-03-14	[CA2839099]																																																																						
WO2013034459	A1	2013-03-14	[WO201334459]																																																																						
TW201343090	A	2013-11-01	[TW201343090]																																																																						
TW201343091	A	2013-11-01	[TW201343091]																																																																						
TW201343089	A	2013-11-01	[TW201343089]																																																																						
AU2012306504	A1	2014-01-16	[AU2012306504]																																																																						
CN103763953	A	2014-04-30	[CN103763953]																																																																						
KR20140068807	A	2014-06-09	[KR20140068807]																																																																						
AR088436	A1	2014-06-11	[AR--88436]																																																																						
EP2753202	A1	2014-07-16	[EP2753202]																																																																						
US2014202476	A1	2014-07-24	[US20140202476]																																																																						
JP2014518096	A	2014-07-28	[JP2014518096]																																																																						
BR112013032558	A1	2014-08-12	[BR112013032558]																																																																						
AU2012306504	B2	2015-08-20	[AU2012306504]																																																																						
JP5808490	B2	2015-11-10	[JP5808490]																																																																						
RU2013155701	A	2015-11-27	[RU2013155701]																																																																						
UA110646	C2	2016-01-25	[UA-110646]																																																																						
EP2753202	B1	2016-04-27	[EP2753202]																																																																						

- **Abstract:**

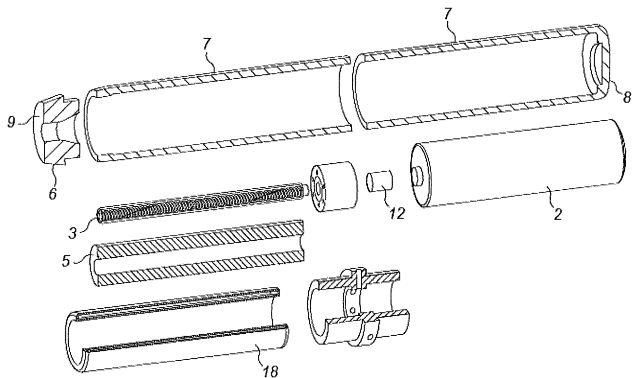
(WO201334459)

An apparatus comprising a heater configured to heat smokeable material to volatilize at least one component of the smokeable material, wherein the heater is elongate and comprises a plurality of independently controllable heating regions arranged sequentially along a longitudinal axis of the heater.



Heat insulated apparatus for heating smokable material CA2839806

<ul style="list-style-type: none"> • Patent Assignee BRITISH AMERICAN TOBACCO • Inventor EGOYANTS PETR ALEXANDROVICH VOLOBUEV DMITRY MIKHAILOVICH FIMIN PAVEL NIKOLAEVICH SALEEM FOZIA WOODMAN THOMAS • International Patent Classification A01M-013/00 A24F-047/00 A61M-015/06 F16L-059/065 H05B-001/02 H05B-003/44 • US Patent Classification PCLO=392386000 • CPC Code A24F-047/00/4; A24F-047/00/8; F16L-059/065 F16L-059/065; H05B-001/02/91; H05B-003/44 H05B-003/44; 	<ul style="list-style-type: none"> • Publication Information CA2839806 A1 2013-03-14 [CA2839806] • Priority Details 2011RU-0136872 2011-09-06 2012EP-0756413 2012-08-24 2012GB-0007054 2012-04-23 2012WO-EP66523 2012-08-24 2013RU-0156469 2012-08-24 2014US-14127879 2014-05-09 2015US-14962817 2015-12-08 																																																																																
<ul style="list-style-type: none"> • Fampat family <table style="width: 100%; border-collapse: collapse; margin-top: 5px;"> <tr> <td style="width: 30%;">CA2839806</td> <td style="width: 10%;">A1</td> <td style="width: 20%;">2013-03-14</td> <td style="width: 40%;">[CA2839806]</td> </tr> <tr> <td>WO2013034458</td> <td>A1</td> <td>2013-03-14</td> <td>[WO201334458]</td> </tr> <tr> <td>AU2012306503</td> <td>A1</td> <td>2014-01-16</td> <td>[AU2012306503]</td> </tr> <tr> <td>MX2013014949</td> <td>A</td> <td>2014-04-16</td> <td>[MX2013014949]</td> </tr> <tr> <td>VN37790</td> <td>A</td> <td>2014-05-26</td> <td>[VN--37790]</td> </tr> <tr> <td>CN103826482</td> <td>A</td> <td>2014-05-28</td> <td>[CN103826482]</td> </tr> <tr> <td>KR20140068808</td> <td>A</td> <td>2014-06-09</td> <td>[KR20140068808]</td> </tr> <tr> <td>AR088435</td> <td>A1</td> <td>2014-06-11</td> <td>[AR--88435]</td> </tr> <tr> <td>EP2753204</td> <td>A1</td> <td>2014-07-16</td> <td>[EP2753204]</td> </tr> <tr> <td>BR112013032671</td> <td>A1</td> <td>2014-08-12</td> <td>[BR112013032671]</td> </tr> <tr> <td>JP2014520542</td> <td>A</td> <td>2014-08-25</td> <td>[JP2014520542]</td> </tr> <tr> <td>US2014270726</td> <td>A1</td> <td>2014-09-18</td> <td>[US20140270726]</td> </tr> <tr> <td>IN10094/CHENP/2013</td> <td>A</td> <td>2014-10-17</td> <td>[IN2013CN10094]</td> </tr> <tr> <td>RU2013156469</td> <td>A</td> <td>2015-10-20</td> <td>[RU2013156469]</td> </tr> <tr> <td>AU2012306503</td> <td>B2</td> <td>2016-01-28</td> <td>[AU2012306503]</td> </tr> <tr> <td>EP2753204</td> <td>B1</td> <td>2016-02-10</td> <td>[EP2753204]</td> </tr> <tr> <td>US2016088875</td> <td>A1</td> <td>2016-03-31</td> <td>[US20160088875]</td> </tr> <tr> <td>ES2570931</td> <td>T3</td> <td>2016-05-23</td> <td>[ES2570931]</td> </tr> <tr> <td>US9357803</td> <td>B2</td> <td>2016-06-07</td> <td>[US9357803]</td> </tr> <tr> <td>EP3033954</td> <td>A1</td> <td>2016-06-22</td> <td>[EP3033954]</td> </tr> </table> 		CA2839806	A1	2013-03-14	[CA2839806]	WO2013034458	A1	2013-03-14	[WO201334458]	AU2012306503	A1	2014-01-16	[AU2012306503]	MX2013014949	A	2014-04-16	[MX2013014949]	VN37790	A	2014-05-26	[VN--37790]	CN103826482	A	2014-05-28	[CN103826482]	KR20140068808	A	2014-06-09	[KR20140068808]	AR088435	A1	2014-06-11	[AR--88435]	EP2753204	A1	2014-07-16	[EP2753204]	BR112013032671	A1	2014-08-12	[BR112013032671]	JP2014520542	A	2014-08-25	[JP2014520542]	US2014270726	A1	2014-09-18	[US20140270726]	IN10094/CHENP/2013	A	2014-10-17	[IN2013CN10094]	RU2013156469	A	2015-10-20	[RU2013156469]	AU2012306503	B2	2016-01-28	[AU2012306503]	EP2753204	B1	2016-02-10	[EP2753204]	US2016088875	A1	2016-03-31	[US20160088875]	ES2570931	T3	2016-05-23	[ES2570931]	US9357803	B2	2016-06-07	[US9357803]	EP3033954	A1	2016-06-22	[EP3033954]
CA2839806	A1	2013-03-14	[CA2839806]																																																																														
WO2013034458	A1	2013-03-14	[WO201334458]																																																																														
AU2012306503	A1	2014-01-16	[AU2012306503]																																																																														
MX2013014949	A	2014-04-16	[MX2013014949]																																																																														
VN37790	A	2014-05-26	[VN--37790]																																																																														
CN103826482	A	2014-05-28	[CN103826482]																																																																														
KR20140068808	A	2014-06-09	[KR20140068808]																																																																														
AR088435	A1	2014-06-11	[AR--88435]																																																																														
EP2753204	A1	2014-07-16	[EP2753204]																																																																														
BR112013032671	A1	2014-08-12	[BR112013032671]																																																																														
JP2014520542	A	2014-08-25	[JP2014520542]																																																																														
US2014270726	A1	2014-09-18	[US20140270726]																																																																														
IN10094/CHENP/2013	A	2014-10-17	[IN2013CN10094]																																																																														
RU2013156469	A	2015-10-20	[RU2013156469]																																																																														
AU2012306503	B2	2016-01-28	[AU2012306503]																																																																														
EP2753204	B1	2016-02-10	[EP2753204]																																																																														
US2016088875	A1	2016-03-31	[US20160088875]																																																																														
ES2570931	T3	2016-05-23	[ES2570931]																																																																														
US9357803	B2	2016-06-07	[US9357803]																																																																														
EP3033954	A1	2016-06-22	[EP3033954]																																																																														
<ul style="list-style-type: none"> • Abstract: (EP3033954) An apparatus (1) configured to heat smokeable material to volatilize at least one component of the smokeable material, wherein the apparatus (1) comprises a region of insulation (18) having a core region (20) which is evacuated to a lower pressure than an exterior of the insulation (18). 																																																																																	



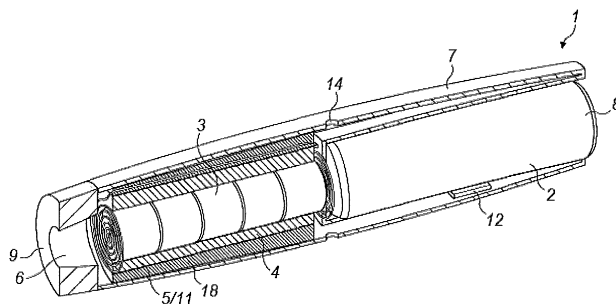
Heating smokable material CA2845754

<ul style="list-style-type: none"> • Patent Assignee BRITISH AMERICAN TOBACCO • Inventor EGOYANTS PETR ALEXANDROVICH VOLOBUEV DMITRY MIKHAILOVICH FIMIN PAVEL NIKOLAEVICH ABRAMOV OLEG JURIEVICH • International Patent Classification A24D-001/18 A24F-047/00 • US Patent Classification PCLO=131328000 PCLX=131329000 • CPC Code A24F-047/00/8 	<ul style="list-style-type: none"> • Publication Information CA2845754 A1 2013-03-14 [CA2845754] • Priority Details 2011RU-0136869 2011-09-06 2012GB-0007054 2012-04-23 2012RU-0124800 2012-06-15 2012WO-EP66525 2012-08-24 2014RU-0113162 2012-08-24 																																																
<ul style="list-style-type: none"> • Fampat family <table style="width: 100%; border-collapse: collapse; margin-top: 5px;"> <tr> <td style="width: 25%;">CA2845754</td> <td style="width: 10%;">A1</td> <td style="width: 20%;">2013-03-14</td> <td style="width: 45%;">[CA2845754]</td> </tr> <tr> <td>WO2013034460</td> <td>A1</td> <td>2013-03-14</td> <td>[WO201334460]</td> </tr> <tr> <td>AU2012306505</td> <td>A1</td> <td>2014-03-06</td> <td>[AU2012306505]</td> </tr> <tr> <td>CN103763954</td> <td>A</td> <td>2014-04-30</td> <td>[CN103763954]</td> </tr> <tr> <td>KR20140070588</td> <td>A</td> <td>2014-06-10</td> <td>[KR20140070588]</td> </tr> <tr> <td>AR088437</td> <td>A1</td> <td>2014-06-11</td> <td>[AR--88437]</td> </tr> <tr> <td>EP2753203</td> <td>A1</td> <td>2014-07-16</td> <td>[EP2753203]</td> </tr> <tr> <td>JP2014525251</td> <td>A</td> <td>2014-09-29</td> <td>[JP2014525251]</td> </tr> <tr> <td>BR112014004818</td> <td>A1</td> <td>2014-10-21</td> <td>[BR112014004818]</td> </tr> <tr> <td>US2014338680</td> <td>A1</td> <td>2014-11-20</td> <td>[US20140338680]</td> </tr> <tr> <td>AU2012306505</td> <td>B2</td> <td>2015-09-24</td> <td>[AU2012306505]</td> </tr> <tr> <td>RU2014113162</td> <td>A</td> <td>2015-10-20</td> <td>[RU2014113162]</td> </tr> </table> 		CA2845754	A1	2013-03-14	[CA2845754]	WO2013034460	A1	2013-03-14	[WO201334460]	AU2012306505	A1	2014-03-06	[AU2012306505]	CN103763954	A	2014-04-30	[CN103763954]	KR20140070588	A	2014-06-10	[KR20140070588]	AR088437	A1	2014-06-11	[AR--88437]	EP2753203	A1	2014-07-16	[EP2753203]	JP2014525251	A	2014-09-29	[JP2014525251]	BR112014004818	A1	2014-10-21	[BR112014004818]	US2014338680	A1	2014-11-20	[US20140338680]	AU2012306505	B2	2015-09-24	[AU2012306505]	RU2014113162	A	2015-10-20	[RU2014113162]
CA2845754	A1	2013-03-14	[CA2845754]																																														
WO2013034460	A1	2013-03-14	[WO201334460]																																														
AU2012306505	A1	2014-03-06	[AU2012306505]																																														
CN103763954	A	2014-04-30	[CN103763954]																																														
KR20140070588	A	2014-06-10	[KR20140070588]																																														
AR088437	A1	2014-06-11	[AR--88437]																																														
EP2753203	A1	2014-07-16	[EP2753203]																																														
JP2014525251	A	2014-09-29	[JP2014525251]																																														
BR112014004818	A1	2014-10-21	[BR112014004818]																																														
US2014338680	A1	2014-11-20	[US20140338680]																																														
AU2012306505	B2	2015-09-24	[AU2012306505]																																														
RU2014113162	A	2015-10-20	[RU2014113162]																																														

- **Abstract:**

(EP2753203)

An apparatus comprising a smokable material heater, configured to heat a first region of smokable material to a volatilizing temperature sufficient to volatilize a component of smokable material and to concurrently heat a second region of smokable material to a temperature lower than said volatilizing temperature but which is sufficient to prevent condensation of volatilized components of the smokable material. A method of heating smokable material is also described. (From US2014338680 A1)



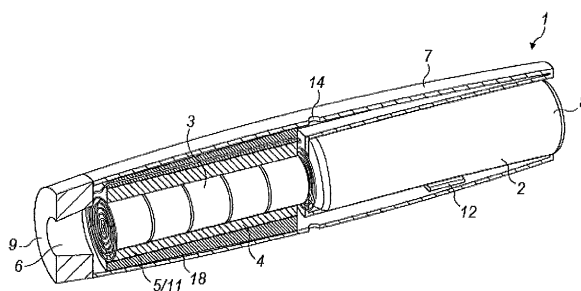
Insulating WO201334455

<ul style="list-style-type: none"> • Patent Assignee BRITISH AMERICAN TOBACCO • Inventor EGOYANTS PETR FIMIN PAVEL VOLOBUEV DMITRY ABRAMOV OLEG • International Patent Classification A24F-047/00 F16L-059/06 F16L-059/065 F16L-059/14 H05B-003/56 • US Patent Classification PCLO=131329000 PCLX=428174000 PCLX=428220000 • CPC Code A24F-047/00/8 A24F-047/00/8; F16L-059/065; Y10T-428/24628 Y10T-428/24628; 	<ul style="list-style-type: none"> • Publication Information WO2013034455 A1 2013-03-14 [WO201334455] • Priority Details 2011RU-0136868 2011-09-06 2012GB-0007054 2012-04-23 2012WO-EP66485 2012-08-24 2013RU-0155699 2012-08-24 																																
<ul style="list-style-type: none"> • Fampat family <table style="width: 100%; border-collapse: collapse; margin-top: 5px;"> <tr> <td style="width: 30%;">WO2013034455</td> <td style="width: 10%;">A1</td> <td style="width: 20%;">2013-03-14</td> <td style="width: 40%;">[WO201334455]</td> </tr> <tr> <td>CN103608619</td> <td>A</td> <td>2014-02-26</td> <td>[CN103608619]</td> </tr> <tr> <td>EP2753859</td> <td>A1</td> <td>2014-07-16</td> <td>[EP2753859]</td> </tr> <tr> <td>JP2014518367</td> <td>A</td> <td>2014-07-28</td> <td>[JP2014518367]</td> </tr> <tr> <td>US2014216485</td> <td>A1</td> <td>2014-08-07</td> <td>[US20140216485]</td> </tr> <tr> <td>RU2013155699</td> <td>A</td> <td>2015-10-20</td> <td>[RU2013155699]</td> </tr> <tr> <td>CN103608619</td> <td>B</td> <td>2015-12-02</td> <td>[CN103608619B]</td> </tr> <tr> <td>JP2016027818</td> <td>A</td> <td>2016-02-25</td> <td>[JP2016027818]</td> </tr> </table> 		WO2013034455	A1	2013-03-14	[WO201334455]	CN103608619	A	2014-02-26	[CN103608619]	EP2753859	A1	2014-07-16	[EP2753859]	JP2014518367	A	2014-07-28	[JP2014518367]	US2014216485	A1	2014-08-07	[US20140216485]	RU2013155699	A	2015-10-20	[RU2013155699]	CN103608619	B	2015-12-02	[CN103608619B]	JP2016027818	A	2016-02-25	[JP2016027818]
WO2013034455	A1	2013-03-14	[WO201334455]																														
CN103608619	A	2014-02-26	[CN103608619]																														
EP2753859	A1	2014-07-16	[EP2753859]																														
JP2014518367	A	2014-07-28	[JP2014518367]																														
US2014216485	A1	2014-08-07	[US20140216485]																														
RU2013155699	A	2015-10-20	[RU2013155699]																														
CN103608619	B	2015-12-02	[CN103608619B]																														
JP2016027818	A	2016-02-25	[JP2016027818]																														

- **Abstract:**

(EP2753859)

Thermal insulation comprising a boundary comprising a first boundary section, a second boundary section and a third boundary section which connects the first and second boundary sections together; and an internal insulating region inside the boundary and configured to thermally insulate the first boundary section from the second boundary section; wherein the third boundary section follows an indirect path between the first and second boundary sections. An apparatus configured to volatilize components of smokable material, comprising the insulation, is also described. (From US2014216485 A1)



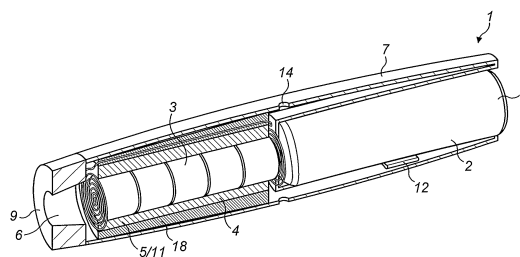
Heating smokable material WO201334456

<ul style="list-style-type: none"> • Patent Assignee BRITISH AMERICAN TOBACCO • Inventor EGOYANTS PETR ALEXANDROVICH VOLOBUEV DMITRY MIKHAILOVICH FIMIN PAVEL NIKOLAEVICH ABRAMOV OLEG JURIEVICH SALEEM FOZIA WOODMAN THOMAS • International Patent Classification A24F-047/00 • US Patent Classification PCLO=131328000 PCLX=131329000 • CPC Code A24F-047/00/4; A24F-047/00/8; A61M-015/00/91 	<ul style="list-style-type: none"> • Publication Information WO2013034456 A1 2013-03-14 [WO201334456] • Priority Details 2011RU-0136872 2011-09-06 2012RU-0108431 2012-03-06 2012WO-EP66486 2012-08-24 2013RU-0155702 2012-08-24 																																
<ul style="list-style-type: none"> • Fampat family <table style="width: 100%; border-collapse: collapse; margin-top: 5px;"> <tr> <td style="width: 30%;">WO2013034456</td> <td style="width: 10%;">A1</td> <td style="width: 20%;">2013-03-14</td> <td style="width: 40%;">[WO201334456]</td> </tr> <tr> <td>CN103826481</td> <td>A</td> <td>2014-05-28</td> <td>[CN103826481]</td> </tr> <tr> <td>US2014182608</td> <td>A1</td> <td>2014-07-03</td> <td>[US20140182608]</td> </tr> <tr> <td>EP2753201</td> <td>A1</td> <td>2014-07-16</td> <td>[EP2753201]</td> </tr> <tr> <td>JP2014522650</td> <td>A</td> <td>2014-09-08</td> <td>[JP2014522650]</td> </tr> <tr> <td>RU2013155702</td> <td>A</td> <td>2015-10-20</td> <td>[RU2013155702]</td> </tr> <tr> <td>EP2753201</td> <td>B1</td> <td>2016-02-24</td> <td>[EP2753201]</td> </tr> <tr> <td>JP5879435</td> <td>B2</td> <td>2016-03-08</td> <td>[JP5879435]</td> </tr> </table> 		WO2013034456	A1	2013-03-14	[WO201334456]	CN103826481	A	2014-05-28	[CN103826481]	US2014182608	A1	2014-07-03	[US20140182608]	EP2753201	A1	2014-07-16	[EP2753201]	JP2014522650	A	2014-09-08	[JP2014522650]	RU2013155702	A	2015-10-20	[RU2013155702]	EP2753201	B1	2016-02-24	[EP2753201]	JP5879435	B2	2016-03-08	[JP5879435]
WO2013034456	A1	2013-03-14	[WO201334456]																														
CN103826481	A	2014-05-28	[CN103826481]																														
US2014182608	A1	2014-07-03	[US20140182608]																														
EP2753201	A1	2014-07-16	[EP2753201]																														
JP2014522650	A	2014-09-08	[JP2014522650]																														
RU2013155702	A	2015-10-20	[RU2013155702]																														
EP2753201	B1	2016-02-24	[EP2753201]																														
JP5879435	B2	2016-03-08	[JP5879435]																														

- **Abstract:**

(WO201334456)

An apparatus comprising a heating chamber for heating smokable material, the apparatus being operable in a first configuration to allow a gaseous flow between an interior of the chamber and an exterior of the chamber and operable in a second configuration to prevent the gaseous flow by hermetic sealing of the chamber.



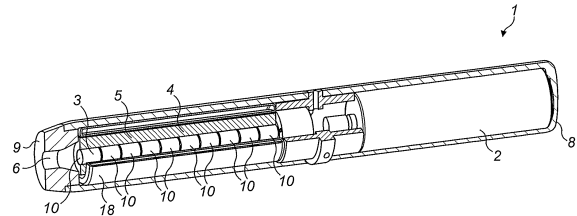
Heating smokeable material WO201334454

<ul style="list-style-type: none"> • Patent Assignee BRITISH AMERICAN TOBACCO • Inventor VASILIEV VLADIMIR KACHKO IGOR • International Patent Classification A24F-047/00 • US Patent Classification PCLO=131329000 • CPC Code A24F-047/00/8 	<ul style="list-style-type: none"> • Publication Information WO2013034454 A1 2013-03-14 [WO201334454] • Priority Details 2011RU-0136871 2011-09-06 2012WO-EP66484 2012-08-24 2013RU-0155697 2012-08-24 																												
<ul style="list-style-type: none"> • Fampat family <table style="width: 100%; border-collapse: collapse; margin-top: 5px;"> <tr> <td style="width: 33%;">WO2013034454</td> <td style="width: 10%;">A1</td> <td style="width: 20%;">2013-03-14</td> <td style="width: 37%;">[WO201334454]</td> </tr> <tr> <td>CN103596458</td> <td>A</td> <td>2014-02-19</td> <td>[CN103596458]</td> </tr> <tr> <td>EP2753200</td> <td>A1</td> <td>2014-07-16</td> <td>[EP2753200]</td> </tr> <tr> <td>JP2014518095</td> <td>A</td> <td>2014-07-28</td> <td>[JP2014518095]</td> </tr> <tr> <td>US2014360515</td> <td>A1</td> <td>2014-12-11</td> <td>[US20140360515]</td> </tr> <tr> <td>RU2013155697</td> <td>A</td> <td>2015-10-20</td> <td>[RU2013155697]</td> </tr> <tr> <td>JP2016073309</td> <td>A</td> <td>2016-05-12</td> <td>[JP2016073309]</td> </tr> </table> 		WO2013034454	A1	2013-03-14	[WO201334454]	CN103596458	A	2014-02-19	[CN103596458]	EP2753200	A1	2014-07-16	[EP2753200]	JP2014518095	A	2014-07-28	[JP2014518095]	US2014360515	A1	2014-12-11	[US20140360515]	RU2013155697	A	2015-10-20	[RU2013155697]	JP2016073309	A	2016-05-12	[JP2016073309]
WO2013034454	A1	2013-03-14	[WO201334454]																										
CN103596458	A	2014-02-19	[CN103596458]																										
EP2753200	A1	2014-07-16	[EP2753200]																										
JP2014518095	A	2014-07-28	[JP2014518095]																										
US2014360515	A1	2014-12-11	[US20140360515]																										
RU2013155697	A	2015-10-20	[RU2013155697]																										
JP2016073309	A	2016-05-12	[JP2016073309]																										

- **Abstract:**

(EP2753200)

An apparatus comprising a heater configured to heat smokeable material to volatilize at least one component of the smokeable material, wherein the heater comprises a plurality of heating projections arranged sequentially along a longitudinal axis of the heater; and the projections are configured to heat smokeable material located between the projections. An elongate smokeable material cartridge comprising a plurality of smokeable material sections is also described. (From US2014360515 A1)



Delivery devices and units therefor WO2013128176

<ul style="list-style-type: none"> • Patent Assignee BRITISH AMERICAN TOBACCO • Inventor WOODMAN THOMAS WOODCOCK DOMINIC EGOYANTS PETR FIMIN PAVEL VOLOBUEV DIMITRY KARUSHEV MIKHAIL CHECHURIN LEONID ABRAMOV OLEG • International Patent Classification A24F-047/00 A61M-011/04 A61M-015/00 A61M-015/06 • CPC Code A24F-047/00/4; A61M-011/042; A61M-011/047; A61M-015/00/45; A61M-015/0051; A61M-015/06 	<ul style="list-style-type: none"> • Publication Information WO2013128176 A1 2013-09-06 [WO2013128176] • Priority Details 2012RU-0107217 2012-02-28
<ul style="list-style-type: none"> • Fampat family WO2013128176 A1 2013-09-06 [WO2013128176] 	

- **Abstract:**

(WO2013128176)

The invention relates to the generation of a vapour, and in some aspects, to the generation of a vapour which condenses to form an inhalable aerosol. The invention relates to vapour-generating units for generating the vapour by the heating of a composition to be vaporised, to aerosol delivery devices including such units, and to methods of generating an inhalable aerosol.

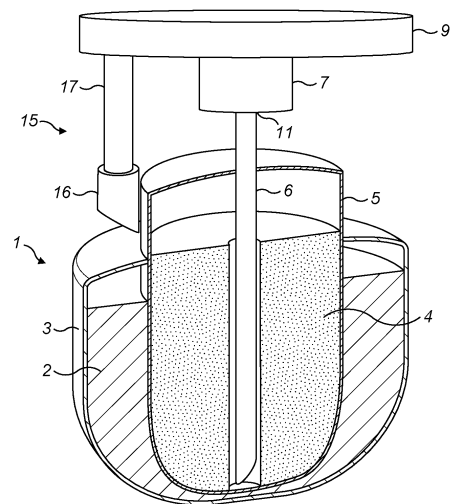


FIG. 1

Heating smokable material WO2013131764

<ul style="list-style-type: none">• Patent Assignee BRITISH AMERICAN TOBACCO• Inventor EGOYANTS PETR ALEXANDROVICH VOLOBUEV DMITRY MIKHAILOVICH FIMIN PAVEL NIKOLAEVICH ABRAMOV OLEG JURIEVICH• International Patent Classification A24F-047/00• CPC Code A24F-047/00/8	<ul style="list-style-type: none">• Publication Information WO2013131764 A1 2013-09-12 [WO2013131764]• Priority Details 2012RU-0108159 2012-03-05
<ul style="list-style-type: none">• Family WO2013131764 A1 2013-09-12 [WO2013131764]	

- **Abstract:**

(WO2013131764)

An apparatus configured to heat smokable material to volatilize at least one component of the smokable material, comprising thermal insulation with a heater arranged integrally therein.

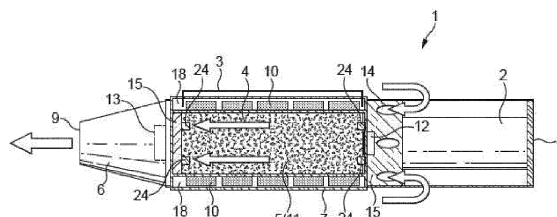


FIG. 1

Heating smokable material WO2013131763

<ul style="list-style-type: none"> • Patent Assignee BRITISH AMERICAN TOBACCO • Inventor ABRAMOV OLEG JURIEVICH EGOYANTS PETR ALEXANDROVICH • International Patent Classification A24F-047/00 • CPC Code A24F-047/00/4 	<ul style="list-style-type: none"> • Publication Information WO2013131763 A1 2013-09-12 [WO2013131763] • Priority Details 2012RU-0108158 2012-03-05
<ul style="list-style-type: none"> • Fampat family WO2013131763 A1 2013-09-12 [WO2013131763] 	

- **Abstract:**

(WO2013131763)

An apparatus configured to heat smokable material to volatilize at least one component of the smokable material, comprising: a heater located remotely from a smokable material heating region; and a heat conducting element, wherein the heat conducting element is configured to conduct heat from the heater into the smokable material heating region to heat smokable material. A method of heating smokable material is also described.

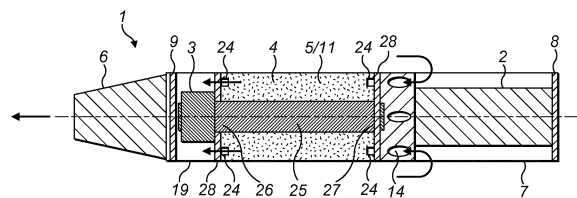


FIG. 1

Heating smokeable material WO201334452

<ul style="list-style-type: none">• Patent Assignee BRITISH AMERICAN TOBACCO• Inventor CHECHURIN LEONID ABRAMOV OLEG• International Patent Classification A24F-047/00• CPC Code A24F-047/00/2; A24F-047/00/8	<ul style="list-style-type: none">• Publication Information WO2013034452 A1 2013-03-14 [WO201334452]• Priority Details 2011RU-0136867 2011-09-06
<ul style="list-style-type: none">• Fampat family WO2013034452 A1 2013-03-14 [WO201334452]	

- **Abstract:**

(WO201334452)

An apparatus configured to heat smokeable material to volatilize at least one component of the smokeable material, comprising a smokeable material compressor configured to compress smokeable material in the apparatus. A method of compressing and expanding the smokeable material is also described.

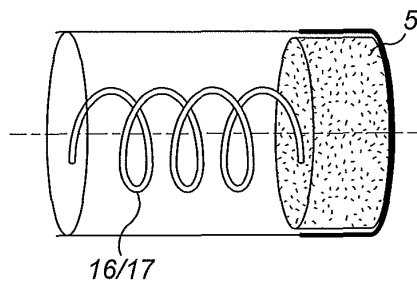


FIG. 13

Heating smokeable material WO201334453

<ul style="list-style-type: none"> • Patent Assignee BRITISH AMERICAN TOBACCO • Inventor KUZNETSOV VLADIMIR CHECHURIN LEONID • International Patent Classification A24F-047/00 • CPC Code A24F-047/00/4; A24F-047/00/8 	<ul style="list-style-type: none"> • Publication Information WO2013034453 A1 2013-03-14 [WO201334453] • Priority Details 2011RU-0136870 2011-09-06
<ul style="list-style-type: none"> • Fampat family <div style="display: flex; justify-content: space-between; align-items: flex-start;"> WO2013034453 A1 2013-03-14 [WO201334453] </div> 	

- **Abstract:**

(WO201334453)

An apparatus comprising a heater configured to heat smokeable material to volatilize at least one component of the smokeable material and a heat shield 5 configured to shield smokeable material from the heater.

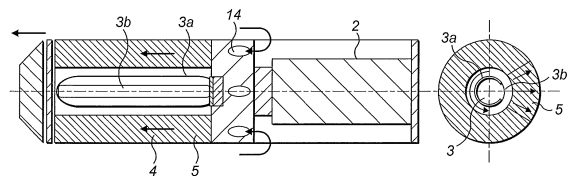


FIG. 19