

05/07/16

## Number of documents: 4

- [WO200722176](#) Device for separating banana pulp from the peel  
CHIQUITA BRANDS CHIQUITA BRANDS INTERNATIONAL FRESH  
EXPRESS FRESH INTERNATIONAL NUNEZ ELENA PARFENOV AUDREY  
TRANSFRESH WILEY JAMES H
- [CA2854981](#) Vacuum dried fruit or vegetable product and process for making it  
CHIQUITA BRANDS CHIQUITA BRANDS INTERNATIONAL FRESH  
EXPRESS FRESH INTERNATIONAL TRANSFRESH
- [WO200722175](#) Method for separating banana pulp from its peel, and a device for the  
implementation of this method  
CHIQUITA BRANDS FRESH EXPRESS FRESH INTERNATIONAL  
TRANSFRESH
- [WO200705685](#) Method for separating banana clusters into separate bananas  
CHIQUITA BRANDS FRESH EXPRESS FRESH INTERNATIONAL  
TRANSFRESH

## Device for separating banana pulp from the peel

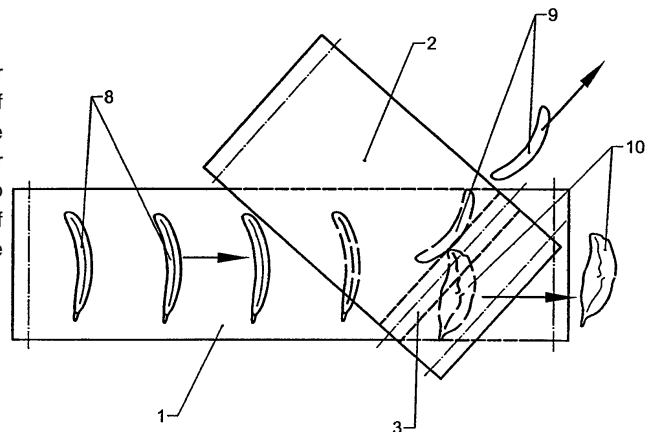
### WO200722176

<ul style="list-style-type: none"> <li>• <b>Patent Assignee</b> CHIQUITA BRANDS CHIQUITA BRANDS INTERNATIONAL FRESH EXPRESS FRESH INTERNATIONAL NUNEZ ELENA PARFENOV AUDREY TRANSFRESH WILEY JAMES H</li> <li>• <b>Inventor</b> FERNANDEZ RAUL MEIJIA JOSE T VASQUEZ JULIO ALVAREZ RAFAEL ANGEL LOPEZ ILYIN IIIYA MURILLO LUIS GUILLERMO BONILLA</li> <li>• <b>International Patent Classification</b> A23L-019/12 A23N A23N-007/00 A47J-017/00 B30B B30B-009/24</li> <li>• <b>US Patent Classification</b> PCLO=099584000 PCLX=099585000 PCLX=099623000</li> <li>• <b>CPC Code</b> A23N-007/00</li> </ul>	<ul style="list-style-type: none"> <li>• <b>Publication Information</b> WO2007022176 A2 2007-02-22 [WO200722176]</li> <li>• <b>Priority Details</b> 2005US-60709066 2005-08-17 2006US-11464336 2006-08-14 2006WO-US31819 2006-08-16</li> </ul>																																												
<ul style="list-style-type: none"> <li>• <b>Fampat family</b> <table style="width: 100%; border-collapse: collapse; margin-top: 5px;"> <tr> <td style="width: 33%;">WO2007022176</td> <td style="width: 33%;">A2</td> <td style="width: 33%;">2007-02-22</td> <td style="width: 33%;">[WO200722176]</td> </tr> <tr> <td>WO2007022176</td> <td>A3</td> <td>2007-04-12</td> <td>[WO200722176]</td> </tr> <tr> <td>US2007122533</td> <td>A1</td> <td>2007-05-31</td> <td>[US20070122533]</td> </tr> <tr> <td>ECSP088190</td> <td>A</td> <td>2008-04-28</td> <td>[EC200808190]</td> </tr> <tr> <td>IN0881/KOLNP/2008</td> <td>A</td> <td>2008-11-28</td> <td>[IN2008KN00881]</td> </tr> <tr> <td>CN101415539</td> <td>A</td> <td>2009-04-22</td> <td>[CN101415539]</td> </tr> <tr> <td>BRPI0616597</td> <td>A2</td> <td>2009-11-24</td> <td>[BR200616597]</td> </tr> <tr> <td>US7789016</td> <td>B2</td> <td>2010-09-07</td> <td>[US7789016]</td> </tr> <tr> <td>CN101415539</td> <td>B</td> <td>2012-08-29</td> <td>[CN101415539B]</td> </tr> <tr> <td>HK1131769</td> <td>A1</td> <td>2013-08-09</td> <td>[HK1131769]</td> </tr> <tr> <td>BRPI0616597</td> <td>B1</td> <td>2015-07-14</td> <td>[BR200616597]</td> </tr> </table> </li> </ul>		WO2007022176	A2	2007-02-22	[WO200722176]	WO2007022176	A3	2007-04-12	[WO200722176]	US2007122533	A1	2007-05-31	[US20070122533]	ECSP088190	A	2008-04-28	[EC200808190]	IN0881/KOLNP/2008	A	2008-11-28	[IN2008KN00881]	CN101415539	A	2009-04-22	[CN101415539]	BRPI0616597	A2	2009-11-24	[BR200616597]	US7789016	B2	2010-09-07	[US7789016]	CN101415539	B	2012-08-29	[CN101415539B]	HK1131769	A1	2013-08-09	[HK1131769]	BRPI0616597	B1	2015-07-14	[BR200616597]
WO2007022176	A2	2007-02-22	[WO200722176]																																										
WO2007022176	A3	2007-04-12	[WO200722176]																																										
US2007122533	A1	2007-05-31	[US20070122533]																																										
ECSP088190	A	2008-04-28	[EC200808190]																																										
IN0881/KOLNP/2008	A	2008-11-28	[IN2008KN00881]																																										
CN101415539	A	2009-04-22	[CN101415539]																																										
BRPI0616597	A2	2009-11-24	[BR200616597]																																										
US7789016	B2	2010-09-07	[US7789016]																																										
CN101415539	B	2012-08-29	[CN101415539B]																																										
HK1131769	A1	2013-08-09	[HK1131769]																																										
BRPI0616597	B1	2015-07-14	[BR200616597]																																										

- **Abstract:**

(WO200722176)

A device which separates banana pulp from its peel, suitable for large- scale processing, is disclosed. The device consists of upper and lower conveyor belts, a roller installed above the upper belt, and a pressure generating element (e.g., a roller or a plate) installed below the lower belt. The belts are installed so as to converge in the direction of their movement. The axes of the roller(s) is oriented between the longitudinal direction of the lower belt and its transverse direction.





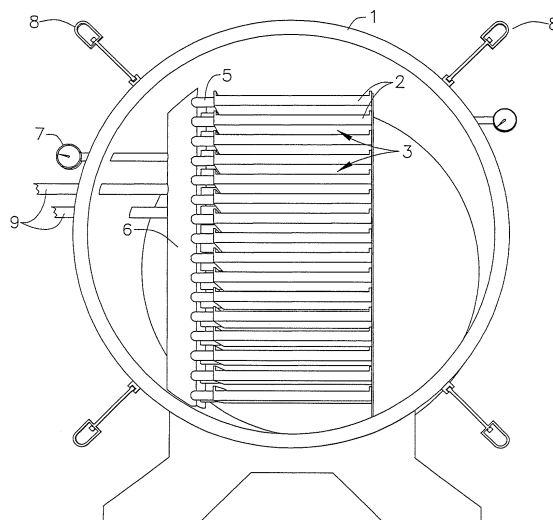
## Vacuum dried fruit or vegetable product and process for making it CA2854981

<ul style="list-style-type: none"> <li>• <b>Patent Assignee</b> CHIQUITA BRANDS CHIQUITA BRANDS INTERNATIONAL FRESH EXPRESS FRESH INTERNATIONAL TRANSFRESH</li> <li>• <b>Inventor</b> PALACIO JAVIER VASQUEZ JULIO IYIN ILYA MIRANDA CESAR LOPEZ RAFEL SOLANO GUSTAVO WEDDERBURN HUMBERTO</li> <li>• <b>International Patent Classification</b> A23B A23B-007/02 A23G-003/00 A23G-003/34 A23L A23L-003/015 A23L-019/00</li> <li>• <b>US Patent Classification</b> PCLO=426640000 PCLO=426640000 PCLX=426465000</li> <li>• <b>CPC Code</b> A23B-007/02; A23L-001/212/3; A23L-003/015/5 A23L-003/015/5; A23V-2002/00</li> </ul>	<ul style="list-style-type: none"> <li>• <b>Publication Information</b> CA2854981 A1 2013-07-04 [CA2854981]</li> <li>• <b>Priority Details</b> 2011US-61580806 2011-12-28 2012US-13714979 2012-12-14 2012US-13715035 2012-12-14 2012WO-US70076 2012-12-17</li> </ul>																																				
<ul style="list-style-type: none"> <li>• <b>Fampat family</b> <table style="width: 100%; border-collapse: collapse;"> <tbody> <tr> <td style="width: 30%;">CA2854981</td> <td style="width: 10%;">A1</td> <td style="width: 20%;">2013-07-04</td> <td style="width: 40%;">[CA2854981]</td> </tr> <tr> <td>WO2013101517</td> <td>A1</td> <td>2013-07-04</td> <td>[WO2013101517]</td> </tr> <tr> <td>US2013171325</td> <td>A1</td> <td>2013-07-04</td> <td>[US20130171325]</td> </tr> <tr> <td>US2013171324</td> <td>A1</td> <td>2013-07-04</td> <td>[US20130171324]</td> </tr> <tr> <td>CN104093326</td> <td>A</td> <td>2014-10-08</td> <td>[CN104093326]</td> </tr> <tr> <td>EP2797437</td> <td>A1</td> <td>2014-11-05</td> <td>[EP2797437]</td> </tr> <tr> <td>MX2014008046</td> <td>A</td> <td>2014-12-08</td> <td>[MX2014008046]</td> </tr> <tr> <td>JP2015506173</td> <td>A</td> <td>2015-03-02</td> <td>[JP2015506173]</td> </tr> <tr> <td>HK1198103</td> <td>A1</td> <td>2015-03-13</td> <td>[HK1198103]</td> </tr> </tbody> </table> </li> </ul>		CA2854981	A1	2013-07-04	[CA2854981]	WO2013101517	A1	2013-07-04	[WO2013101517]	US2013171325	A1	2013-07-04	[US20130171325]	US2013171324	A1	2013-07-04	[US20130171324]	CN104093326	A	2014-10-08	[CN104093326]	EP2797437	A1	2014-11-05	[EP2797437]	MX2014008046	A	2014-12-08	[MX2014008046]	JP2015506173	A	2015-03-02	[JP2015506173]	HK1198103	A1	2015-03-13	[HK1198103]
CA2854981	A1	2013-07-04	[CA2854981]																																		
WO2013101517	A1	2013-07-04	[WO2013101517]																																		
US2013171325	A1	2013-07-04	[US20130171325]																																		
US2013171324	A1	2013-07-04	[US20130171324]																																		
CN104093326	A	2014-10-08	[CN104093326]																																		
EP2797437	A1	2014-11-05	[EP2797437]																																		
MX2014008046	A	2014-12-08	[MX2014008046]																																		
JP2015506173	A	2015-03-02	[JP2015506173]																																		
HK1198103	A1	2015-03-13	[HK1198103]																																		

- **Abstract:**

(EP2797437)

The present invention defines an apparatus and a process for vacuum drying fruit or vegetables, particularly tropical fruit, such as bananas, mangos and pineapples, so as to provide an exceptionally sweet and flavorful fruit chip snack product which is substantially free of any additives such as frying oil, preservatives, added sugar and artificial sweeteners. The process is a vacuum drying process and utilizes a drying apparatus in the form of an autoclave which contains within it a stacked platen heat exchanger wherein trays of the fruit to be dried are placed between heated platens in the heat exchanger. The platens are heated using hot water or a hot water/steam mixture and the drying is done in the autoclave under pressure. (From US2013171325 A1)





# Method for separating banana pulp from its peel, and a device for the implementation of this method

## WO200722175

- **Patent Assignee**  
**CHIQUITA BRANDS FRESH EXPRESS FRESH INTERNATIONAL TRANSFRESH**
- **Inventor**  
 ALVAREZ RAFAEL ANGEL LOPEZ  
 FERNANDEZ RAUL  
 IL YIN ILLYA  
 MEIJIA JOSE T  
 MURILLO LUIS GUILLERMO BONILLA  
 NUNEZ ELENA  
 PARFENOV AUDREY  
 SCHOUWE JULIO  
 VASQUEZ JULIO  
 WILEY JAMES H
- **International Patent Classification**  
 A23L-001/212 A23L-001/216 A23N-007/00
- **US Patent Classification**  
 PCLO=099585000 PCLO=426482000 PCLX=099540000  
 PCLX=099567000 PCLX=099584000 PCLX=099643000  
 PCLX=426615000
- **CPC Code**  
 A23N-007/00

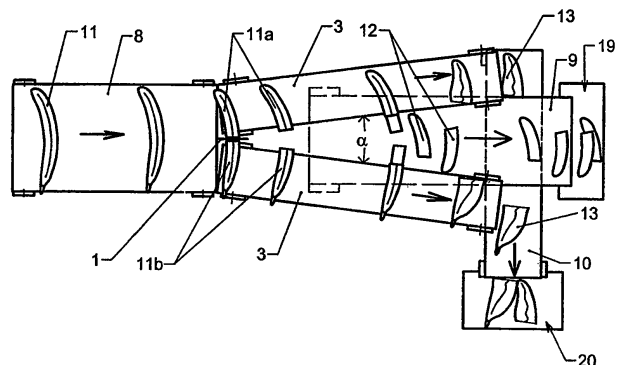
- **Publication Information**  
 WO2007022175 A1 2007-02-22 [WO200722175]
- **Priority Details**  
 2005US-60708923 2005-08-17  
 2006US-11464357 2006-08-14  
 2006WO-US31818 2006-08-16  
 2010US-12979464 2010-12-28

• <b>Fampat family</b>			
WO2007022175	A1	2007-02-22	[WO200722175]
US2007122534	A1	2007-05-31	[US20070122534]
ECSP088191	A	2008-04-28	[EC200808191]
CN101282658	A	2008-10-08	[CN101282658]
IN0722/KOLNP/2008	A	2008-11-21	[IN2008KN00722]
US7861648	B2	2011-01-04	[US7861648]
US2011091624	A1	2011-04-21	[US2011091624]
BRPI0616820	A2	2011-07-05	[BR200616820]
US8206769	B2	2012-06-26	[US8206769]
CN101282658	B	2012-10-10	[CN101282658B]

- **Abstract:**

(WO200722175)

A large scale processing method for separating banana pulp from its peel is disclosed. In this method bananas are separated into two parts (generally in a transverse direction), each part having a tip end and a cut end. A compression force is applied to those banana parts such that the force increases from the tip end to the cut end. A device which implements that process, comprising a cutting device, a means for feeding bananas into the cutting device, and two processing conveyor devices (to apply the compression force to the banana parts), is also disclosed.





## Method for separating banana clusters into separate bananas WO200705685

<ul style="list-style-type: none"> <li>• <b>Patent Assignee</b> CHIQUITA BRANDS FRESH EXPRESS FRESH INTERNATIONAL TRANSFRESH</li> <li>• <b>Inventor</b> FERNANDEZ RAUL MARQUEZ GONZALO FORSYTH KEVIN VASQUEZ JULIO BAKHRAKH MARK BUCH YURY KLIMIN SERGEY VASILIEV VLADIRIM FEIGENSON OLEG LLYIN ILYA YAESS YURIY</li> <li>• <b>International Patent Classification</b> A23N-015/00 A23N-015/02 B26D-001/147 B26D-001/44 B26D-007/06</li> <li>• <b>US Patent Classification</b> PCLO=099638000 PCLX=056244000 PCLX=056245000 PCLX=056249000 PCLX=056290000 PCLX=056295000 PCLX=099537000 PCLX=099642000 PCLX=099643000 PCLX=426478000 PCLX=426518000</li> <li>• <b>CPC Code</b> A23N-015/00; B26D-001/44; B26D-007/06/25</li> </ul>	<ul style="list-style-type: none"> <li>• <b>Publication Information</b> WO2007005685 A1 2007-01-11 [WO200705685]</li> <li>• <b>Priority Details</b> 2005US-60695371 2005-06-30 2006US-11427166 2006-06-28 2006WO-US25723 2006-06-29</li> </ul>																																				
<ul style="list-style-type: none"> <li>• <b>Fampat family</b> <table style="width: 100%; border: none;"> <tr> <td style="width: 33%;">WO2007005685</td> <td style="width: 33%;">A1</td> <td style="width: 33%;">2007-01-11</td> <td style="width: 33%;">[WO200705685]</td> </tr> <tr> <td>US2007095771</td> <td>A1</td> <td>2007-05-03</td> <td>[US20070095771]</td> </tr> <tr> <td>ECSP078065</td> <td>A</td> <td>2008-03-26</td> <td>[EC200708065]</td> </tr> <tr> <td>CN101227840</td> <td>A</td> <td>2008-07-23</td> <td>[CN101227840]</td> </tr> <tr> <td>IN4994/KOLNP/2007</td> <td>A</td> <td>2009-01-02</td> <td>[IN2007KN04994]</td> </tr> <tr> <td>US7487719</td> <td>B2</td> <td>2009-02-10</td> <td>[US7487719]</td> </tr> <tr> <td>CN101227840</td> <td>B</td> <td>2010-09-29</td> <td>[CN101227840B]</td> </tr> <tr> <td>BRPI0612703</td> <td>A2</td> <td>2010-11-30</td> <td>[BR200612703]</td> </tr> <tr> <td>BRPI0612703</td> <td>A8</td> <td>2013-12-10</td> <td>[BR200612703]</td> </tr> </table> </li> </ul>		WO2007005685	A1	2007-01-11	[WO200705685]	US2007095771	A1	2007-05-03	[US20070095771]	ECSP078065	A	2008-03-26	[EC200708065]	CN101227840	A	2008-07-23	[CN101227840]	IN4994/KOLNP/2007	A	2009-01-02	[IN2007KN04994]	US7487719	B2	2009-02-10	[US7487719]	CN101227840	B	2010-09-29	[CN101227840B]	BRPI0612703	A2	2010-11-30	[BR200612703]	BRPI0612703	A8	2013-12-10	[BR200612703]
WO2007005685	A1	2007-01-11	[WO200705685]																																		
US2007095771	A1	2007-05-03	[US20070095771]																																		
ECSP078065	A	2008-03-26	[EC200708065]																																		
CN101227840	A	2008-07-23	[CN101227840]																																		
IN4994/KOLNP/2007	A	2009-01-02	[IN2007KN04994]																																		
US7487719	B2	2009-02-10	[US7487719]																																		
CN101227840	B	2010-09-29	[CN101227840B]																																		
BRPI0612703	A2	2010-11-30	[BR200612703]																																		
BRPI0612703	A8	2013-12-10	[BR200612703]																																		

- **Abstract:**

(WO200705685)

This application discloses a method for separating banana clusters (1) into individual fruits. In this method, the banana cluster (1) is hung on a carrier (5) (such as a cable) in such a way that the hanging point (6) is the place where the banana fruit stalks converge (at the crown) . The cluster (1) and/or the cutter (8) are moved toward each other and the cutter (8) is positioned such that the cutter (8) cuts the fruit stalks at a point lower than the cluster hanging point (6) .

