

06/07/16

Number of documents: 6

US20140263158	Container having a use indicator OWENS BROCKWAY GLASS CONTAINER
US20140237949	Closure pendant to indicate package opening OWENS BROCKWAY GLASS CONTAINER
US20140138276	Container having a use-evident device OWENS BROCKWAY GLASS CONTAINER
CA2889324	Product and package with a photosensitive use-evident feature OWENS BROCKWAY GLASS CONTAINER
US20140263156	Container Neck Ring OWENS BROCKWAY GLASS CONTAINER
WO2014149753	Container neck ring OWENS BROCKWAY GLASS CONTAINER

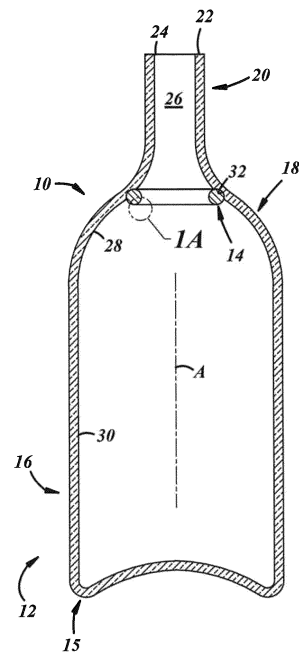
Container having a use indicator US20140263158

<ul style="list-style-type: none"> • Patent Assignee OWENS BROCKWAY GLASS CONTAINER • Inventor WHITTON MICHAEL J SMITH ROGER P BRYANT JESSICA R DARVISH DIANA SOLUNIN ANATOLY TARATIN NIKOLAY • International Patent Classification A61J-001/00 B65B-003/04 B65D-001/02 B65D-023/00 B65D-023/12 B65D-039/00 B65D-049/12 B65D-055/02 B65D-085/00 • US Patent Classification PCLO=215366000 PCLX=053471000 • CPC Code B65B-003/04; B65D-001/02/3; B65D-023/00; B65D-023/12; B65D-2101/0084 	<ul style="list-style-type: none"> • Publication Information US2014263158 A1 2014-09-18 [US20140263158] • Priority Details 2013US-13832589 2013-03-15 2014WO-US20671 2014-03-05 																												
<ul style="list-style-type: none"> • Fampat family <table style="width: 100%; border: none;"> <tr> <td style="width: 30%;">US2014263158</td> <td style="width: 10%;">A1</td> <td style="width: 20%;">2014-09-18</td> <td style="width: 40%;">[US20140263158]</td> </tr> <tr> <td>WO2014149742</td> <td>A1</td> <td>2014-09-25</td> <td>[WO2014149742]</td> </tr> <tr> <td>TW201502023</td> <td>A</td> <td>2015-01-16</td> <td>[TW201502023]</td> </tr> <tr> <td>AU2014237907</td> <td>A1</td> <td>2015-07-23</td> <td>[AU2014237907]</td> </tr> <tr> <td>WO2014149742</td> <td>A8</td> <td>2015-07-30</td> <td>[WO2014149742]</td> </tr> <tr> <td>AR095583</td> <td>A1</td> <td>2015-10-28</td> <td>[AR--95583]</td> </tr> <tr> <td>US9334084</td> <td>B2</td> <td>2016-05-10</td> <td>[US9334084]</td> </tr> </table> 		US2014263158	A1	2014-09-18	[US20140263158]	WO2014149742	A1	2014-09-25	[WO2014149742]	TW201502023	A	2015-01-16	[TW201502023]	AU2014237907	A1	2015-07-23	[AU2014237907]	WO2014149742	A8	2015-07-30	[WO2014149742]	AR095583	A1	2015-10-28	[AR--95583]	US9334084	B2	2016-05-10	[US9334084]
US2014263158	A1	2014-09-18	[US20140263158]																										
WO2014149742	A1	2014-09-25	[WO2014149742]																										
TW201502023	A	2015-01-16	[TW201502023]																										
AU2014237907	A1	2015-07-23	[AU2014237907]																										
WO2014149742	A8	2015-07-30	[WO2014149742]																										
AR095583	A1	2015-10-28	[AR--95583]																										
US9334084	B2	2016-05-10	[US9334084]																										

- **Abstract:**

(WO2014149742)

A product (10, 1 10, 210, 310, 410, 510, 610) includes a container (12, 112, 212, 512, 612), and an indicator (14, 214, 314, 414, 514, 614, 714, 814, 914) within the container, and being adapted, upon contact with air, irreversibly to change a characteristic of the indicator that is visible from outside of the container. Also disclosed are methods of making and of using the product.



Closure pendant to indicate package opening

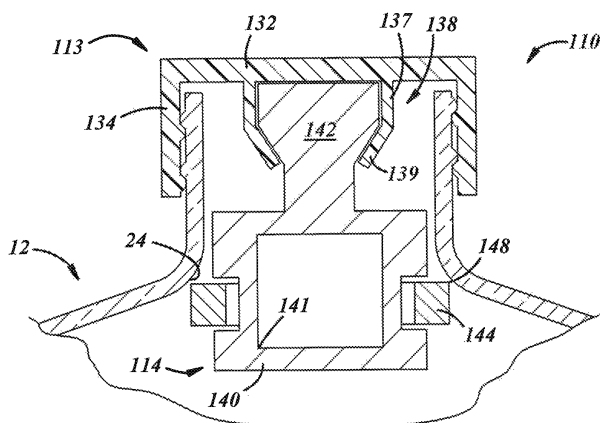
US20140237949

<ul style="list-style-type: none"> • Patent Assignee OWENS BROCKWAY GLASS CONTAINER • Inventor BRYANT JESSICA R SMITH SUSAN L BAKHRACKH MARK KACHKO IGOR VASILYEV VLADIMIR • International Patent Classification B65D-041/04 B65D-049/12 B65D-055/02 • US Patent Classification PCLO=001001000 • CPC Code B65B-001/04; B65D-041/04; B65D-049/02 B65D-055/02; B65D-2101/00 B65D-2101/00; 	<ul style="list-style-type: none"> • Publication Information US2014237949 A1 2014-08-28 [US20140237949] • Priority Details 2013US-13780172 2013-02-28 2014WO-US15551 2014-02-10 																																																												
<ul style="list-style-type: none"> • Fampat family <table style="width: 100%; border-collapse: collapse;"> <tr> <td style="width: 30%;">US2014237949</td> <td style="width: 10%;">A1</td> <td style="width: 20%;">2014-08-28</td> <td style="width: 40%;">[US20140237949]</td> </tr> <tr> <td>CA2896877</td> <td>A1</td> <td>2014-09-04</td> <td>[CA2896877]</td> </tr> <tr> <td>WO2014133737</td> <td>A1</td> <td>2014-09-04</td> <td>[WO2014133737]</td> </tr> <tr> <td>TW201441111</td> <td>A</td> <td>2014-11-01</td> <td>[TW201441111]</td> </tr> <tr> <td>AU2014221338</td> <td>A1</td> <td>2015-05-28</td> <td>[AU2014221338]</td> </tr> <tr> <td>BR112015018457</td> <td>A1</td> <td>2015-08-18</td> <td>[BR112015018457]</td> </tr> <tr> <td>AR094924</td> <td>A1</td> <td>2015-09-09</td> <td>[AR--94924]</td> </tr> <tr> <td>MX2015009380</td> <td>A</td> <td>2015-09-23</td> <td>[MX2015009380]</td> </tr> <tr> <td>SG11201505006T</td> <td>A</td> <td>2015-09-29</td> <td>[SG11201505006T]</td> </tr> <tr> <td>PE14822015</td> <td>A1</td> <td>2015-10-08</td> <td>[PE201501482]</td> </tr> <tr> <td>PH12015501599</td> <td>A1</td> <td>2015-10-12</td> <td>[PH12015501599]</td> </tr> <tr> <td>US9193508</td> <td>B2</td> <td>2015-11-24</td> <td>[US9193508]</td> </tr> <tr> <td>VN44570</td> <td>A</td> <td>2015-11-25</td> <td>[VN--44570]</td> </tr> <tr> <td>EP2961664</td> <td>A1</td> <td>2016-01-06</td> <td>[EP2961664]</td> </tr> <tr> <td>CL2015002392</td> <td>A1</td> <td>2016-03-04</td> <td>[CL2392201500]</td> </tr> </table> 		US2014237949	A1	2014-08-28	[US20140237949]	CA2896877	A1	2014-09-04	[CA2896877]	WO2014133737	A1	2014-09-04	[WO2014133737]	TW201441111	A	2014-11-01	[TW201441111]	AU2014221338	A1	2015-05-28	[AU2014221338]	BR112015018457	A1	2015-08-18	[BR112015018457]	AR094924	A1	2015-09-09	[AR--94924]	MX2015009380	A	2015-09-23	[MX2015009380]	SG11201505006T	A	2015-09-29	[SG11201505006T]	PE14822015	A1	2015-10-08	[PE201501482]	PH12015501599	A1	2015-10-12	[PH12015501599]	US9193508	B2	2015-11-24	[US9193508]	VN44570	A	2015-11-25	[VN--44570]	EP2961664	A1	2016-01-06	[EP2961664]	CL2015002392	A1	2016-03-04	[CL2392201500]
US2014237949	A1	2014-08-28	[US20140237949]																																																										
CA2896877	A1	2014-09-04	[CA2896877]																																																										
WO2014133737	A1	2014-09-04	[WO2014133737]																																																										
TW201441111	A	2014-11-01	[TW201441111]																																																										
AU2014221338	A1	2015-05-28	[AU2014221338]																																																										
BR112015018457	A1	2015-08-18	[BR112015018457]																																																										
AR094924	A1	2015-09-09	[AR--94924]																																																										
MX2015009380	A	2015-09-23	[MX2015009380]																																																										
SG11201505006T	A	2015-09-29	[SG11201505006T]																																																										
PE14822015	A1	2015-10-08	[PE201501482]																																																										
PH12015501599	A1	2015-10-12	[PH12015501599]																																																										
US9193508	B2	2015-11-24	[US9193508]																																																										
VN44570	A	2015-11-25	[VN--44570]																																																										
EP2961664	A1	2016-01-06	[EP2961664]																																																										
CL2015002392	A1	2016-03-04	[CL2392201500]																																																										

- **Abstract:**

(EP2961664)

A product includes a closure having a radially inner portion, and being removably securable to a container, and a pendant releasably coupled to the radially inner portion of the closure, and being releasable from the closure into the container upon removal of the closure from the container. A package may include the product and a container, wherein the closure is removably secured to a neck of the container to removably close the container, and the pendant is suspended from the closure in an interior of the container neck, such that when the closure is removed from the container, the pendant releases from the closure and drops into the container and is non-removably carried therein to provide an indication that the package has been opened from its original factory sealed condition. (From US9193508 B2)



Container having a use-evident device

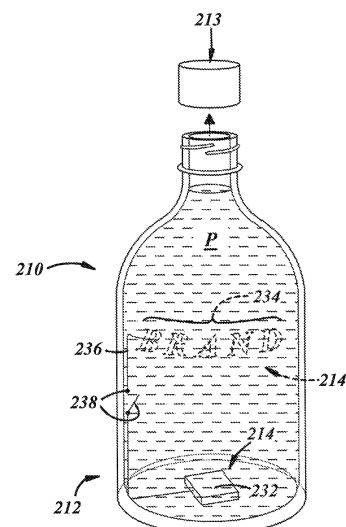
US20140138276

<ul style="list-style-type: none"> • Patent Assignee OWENS BROCKWAY GLASS CONTAINER • Inventor SMITH ROGER P MALCOLM BRAD ANDERSON CHRIS CRESSWELL PHYLLIS A FEYGENSON OLEG SOLUNIN ANATOLY MISIUCENKO IGORIS • International Patent Classification B65D-025/00 B65D-049/00 B65D-055/02 G08B-021/00 • US Patent Classification PCLO=340669000 PCLX=340686100 • CPC Code B65B-003/04; B65B-069/00; B65D-055/02/6; B65D-079/00; B65D-2203/10; B65D-2203/12 	<ul style="list-style-type: none"> • Publication Information US2014138276 A1 2014-05-22 [US20140138276] • Priority Details 2012US-12683475 2012-11-21 2012US-13683475 2012-11-21 2013WO-US65454 2013-10-17 																																																												
<ul style="list-style-type: none"> • Fampat family <table style="width: 100%; border-collapse: collapse; margin-top: 5px;"> <tr> <td style="width: 30%;">US2014138276</td> <td style="width: 10%;">A1</td> <td style="width: 20%;">2014-05-22</td> <td style="width: 40%;">[US20140138276]</td> </tr> <tr> <td>CA2889444</td> <td>A1</td> <td>2014-05-30</td> <td>[CA2889444]</td> </tr> <tr> <td>WO2014081520</td> <td>A1</td> <td>2014-05-30</td> <td>[WO201481520]</td> </tr> <tr> <td>TW201429825</td> <td>A</td> <td>2014-08-01</td> <td>[TW201429825]</td> </tr> <tr> <td>US8830076</td> <td>B2</td> <td>2014-09-09</td> <td>[US8830076]</td> </tr> <tr> <td>AU2013348376</td> <td>A1</td> <td>2015-04-23</td> <td>[AU2013348376]</td> </tr> <tr> <td>BR112015011102</td> <td>A1</td> <td>2015-05-26</td> <td>[BR112015011102]</td> </tr> <tr> <td>PH12015500768</td> <td>A1</td> <td>2015-06-08</td> <td>[PH12015500768]</td> </tr> <tr> <td>AR093534</td> <td>A1</td> <td>2015-06-10</td> <td>[AR--93534]</td> </tr> <tr> <td>PE09862015</td> <td>A1</td> <td>2015-06-20</td> <td>[PE201500986]</td> </tr> <tr> <td>SG11201503166T</td> <td>A</td> <td>2015-06-29</td> <td>[SG11201503166T]</td> </tr> <tr> <td>CN104781157</td> <td>A</td> <td>2015-07-15</td> <td>[CN104781157]</td> </tr> <tr> <td>MX2015005942</td> <td>A</td> <td>2015-09-08</td> <td>[MX2015005942]</td> </tr> <tr> <td>VN43664</td> <td>A</td> <td>2015-09-25</td> <td>[VN--43664]</td> </tr> <tr> <td>EP2922768</td> <td>A1</td> <td>2015-09-30</td> <td>[EP2922768]</td> </tr> </table> 		US2014138276	A1	2014-05-22	[US20140138276]	CA2889444	A1	2014-05-30	[CA2889444]	WO2014081520	A1	2014-05-30	[WO201481520]	TW201429825	A	2014-08-01	[TW201429825]	US8830076	B2	2014-09-09	[US8830076]	AU2013348376	A1	2015-04-23	[AU2013348376]	BR112015011102	A1	2015-05-26	[BR112015011102]	PH12015500768	A1	2015-06-08	[PH12015500768]	AR093534	A1	2015-06-10	[AR--93534]	PE09862015	A1	2015-06-20	[PE201500986]	SG11201503166T	A	2015-06-29	[SG11201503166T]	CN104781157	A	2015-07-15	[CN104781157]	MX2015005942	A	2015-09-08	[MX2015005942]	VN43664	A	2015-09-25	[VN--43664]	EP2922768	A1	2015-09-30	[EP2922768]
US2014138276	A1	2014-05-22	[US20140138276]																																																										
CA2889444	A1	2014-05-30	[CA2889444]																																																										
WO2014081520	A1	2014-05-30	[WO201481520]																																																										
TW201429825	A	2014-08-01	[TW201429825]																																																										
US8830076	B2	2014-09-09	[US8830076]																																																										
AU2013348376	A1	2015-04-23	[AU2013348376]																																																										
BR112015011102	A1	2015-05-26	[BR112015011102]																																																										
PH12015500768	A1	2015-06-08	[PH12015500768]																																																										
AR093534	A1	2015-06-10	[AR--93534]																																																										
PE09862015	A1	2015-06-20	[PE201500986]																																																										
SG11201503166T	A	2015-06-29	[SG11201503166T]																																																										
CN104781157	A	2015-07-15	[CN104781157]																																																										
MX2015005942	A	2015-09-08	[MX2015005942]																																																										
VN43664	A	2015-09-25	[VN--43664]																																																										
EP2922768	A1	2015-09-30	[EP2922768]																																																										

- **Abstract:**

(EP2922768)

A product includes an indicator at least a portion of which is carried by a container and responsive to a change in at least one state of the container to irreversibly modify a visual characteristic visible from outside the container. (From US8830076 B2)



Product and package with a photosensitive use-evident feature CA2889324

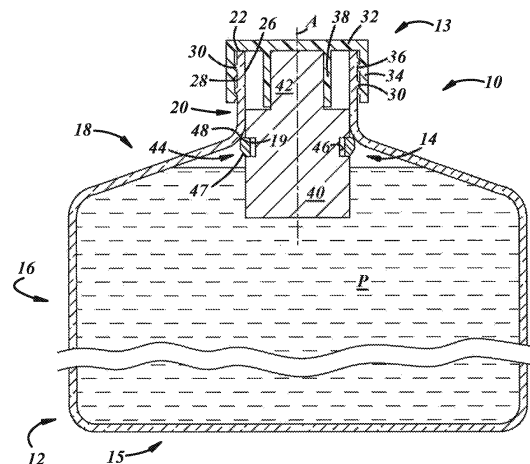
<ul style="list-style-type: none"> • Patent Assignee OWENS BROCKWAY GLASS CONTAINER • Inventor COOPER SCOTT FEYGENSON OLEG BRYANT JESSICA R CLARK TERENCE J ANDERSON CHRIS D SOLUNIN ANATOLY SMITH ROGER P • International Patent Classification B65B-043/00 B65D-025/00 B65D-049/00 B65D-051/24 B65D-055/02 B65D-065/38 B65D-081/00 B65D-085/00 • US Patent Classification PCLO=206459100 PCLX=053452000 PCLX=053492000 PCLX=206524600 • CPC Code B65B-043/00; B65D-025/00; B65D-049/00; B65D-051/24/8; B65D-055/02/6; B65D-081/00; B65D-2101/00; B65D-2203/00; B65D-2203/02; B65D-2203/04; B65D-2203/12 	<ul style="list-style-type: none"> • Publication Information CA2889324 A1 2014-05-22 [CA2889324] • Priority Details 2012US-12679506 2012-11-16 2012US-13679506 2012-11-16 2013WO-US68472 2013-11-05
--	---

<ul style="list-style-type: none"> • Fampat family 	<table style="width: 100%; border-collapse: collapse;"> <tr> <td style="width: 30%;">CA2889324</td> <td style="width: 10%; text-align: center;">A1</td> <td style="width: 20%;">2014-05-22</td> <td style="width: 30%;">[CA2889324]</td> </tr> <tr> <td>US2014138274</td> <td style="text-align: center;">A1</td> <td>2014-05-22</td> <td>[US20140138274]</td> </tr> <tr> <td>WO2014078128</td> <td style="text-align: center;">A1</td> <td>2014-05-22</td> <td>[WO201478128]</td> </tr> <tr> <td>TW201429831</td> <td style="text-align: center;">A</td> <td>2014-08-01</td> <td>[TW201429831]</td> </tr> <tr> <td>AU2013345212</td> <td style="text-align: center;">A1</td> <td>2015-04-16</td> <td>[AU2013345212]</td> </tr> <tr> <td>SG11201502964V</td> <td style="text-align: center;">A</td> <td>2015-05-28</td> <td>[SG11201502964V]</td> </tr> <tr> <td>BR112015010485</td> <td style="text-align: center;">A1</td> <td>2015-06-09</td> <td>[BR112015010485]</td> </tr> <tr> <td>AR093510</td> <td style="text-align: center;">A1</td> <td>2015-06-10</td> <td>[AR--93510]</td> </tr> <tr> <td>PE09852015</td> <td style="text-align: center;">A1</td> <td>2015-06-20</td> <td>[PE201500985]</td> </tr> <tr> <td>PH12015500980</td> <td style="text-align: center;">A1</td> <td>2015-07-13</td> <td>[PH12015500980]</td> </tr> <tr> <td>CN104781156</td> <td style="text-align: center;">A</td> <td>2015-07-15</td> <td>[CN104781156]</td> </tr> <tr> <td>VN43036</td> <td style="text-align: center;">A</td> <td>2015-07-27</td> <td>[VN--43036]</td> </tr> <tr> <td>CO7350634</td> <td style="text-align: center;">A2</td> <td>2015-08-10</td> <td>[CO7350634]</td> </tr> <tr> <td>MX2015005718</td> <td style="text-align: center;">A</td> <td>2015-08-20</td> <td>[MX2015005718]</td> </tr> <tr> <td>EP2920083</td> <td style="text-align: center;">A1</td> <td>2015-09-23</td> <td>[EP2920083]</td> </tr> <tr> <td>US9365314</td> <td style="text-align: center;">B2</td> <td>2016-06-14</td> <td>[US9365314]</td> </tr> </table>	CA2889324	A1	2014-05-22	[CA2889324]	US2014138274	A1	2014-05-22	[US20140138274]	WO2014078128	A1	2014-05-22	[WO201478128]	TW201429831	A	2014-08-01	[TW201429831]	AU2013345212	A1	2015-04-16	[AU2013345212]	SG11201502964V	A	2015-05-28	[SG11201502964V]	BR112015010485	A1	2015-06-09	[BR112015010485]	AR093510	A1	2015-06-10	[AR--93510]	PE09852015	A1	2015-06-20	[PE201500985]	PH12015500980	A1	2015-07-13	[PH12015500980]	CN104781156	A	2015-07-15	[CN104781156]	VN43036	A	2015-07-27	[VN--43036]	CO7350634	A2	2015-08-10	[CO7350634]	MX2015005718	A	2015-08-20	[MX2015005718]	EP2920083	A1	2015-09-23	[EP2920083]	US9365314	B2	2016-06-14	[US9365314]
CA2889324	A1	2014-05-22	[CA2889324]																																																														
US2014138274	A1	2014-05-22	[US20140138274]																																																														
WO2014078128	A1	2014-05-22	[WO201478128]																																																														
TW201429831	A	2014-08-01	[TW201429831]																																																														
AU2013345212	A1	2015-04-16	[AU2013345212]																																																														
SG11201502964V	A	2015-05-28	[SG11201502964V]																																																														
BR112015010485	A1	2015-06-09	[BR112015010485]																																																														
AR093510	A1	2015-06-10	[AR--93510]																																																														
PE09852015	A1	2015-06-20	[PE201500985]																																																														
PH12015500980	A1	2015-07-13	[PH12015500980]																																																														
CN104781156	A	2015-07-15	[CN104781156]																																																														
VN43036	A	2015-07-27	[VN--43036]																																																														
CO7350634	A2	2015-08-10	[CO7350634]																																																														
MX2015005718	A	2015-08-20	[MX2015005718]																																																														
EP2920083	A1	2015-09-23	[EP2920083]																																																														
US9365314	B2	2016-06-14	[US9365314]																																																														

• **Abstract:**

(EP2920083)

A product includes a container, a photosensitive material carried by the container and responsive to ultraviolet light, and a UV protector carried by the container to protect the photosensitive material from exposure to UV light. (From US9365314 B2)



Container neck ring WO2014149753

<ul style="list-style-type: none"> • Patent Assignee OWENS BROCKWAY GLASS CONTAINER • Inventor NEWSOM DANIEL L SMITH ROGER P BRYANT JESSICA R FEYGENSON OLEG KACHKO IGOR VASILYEV VLADIMIR • International Patent Classification B65D-001/02 B65D-041/34 B65D-049/02 B65D-049/04 B65D-055/02 • CPC Code B65D-001/02/3; B65D-049/04; B65D-055/02/6; B65D-055/02; B65D-2101/0084; B65D-2203/00 	<ul style="list-style-type: none"> • Publication Information WO2014149753 A1 2014-09-25 [WO2014149753] • Priority Details 2013US-13832659 2013-03-15 2014WO-US20712 2014-03-05 																				
<ul style="list-style-type: none"> • Fampat family <table style="width: 100%; border: none;"> <tr> <td style="width: 30%;">WO2014149753</td> <td style="width: 10%;">A1</td> <td style="width: 20%;">2014-09-25</td> <td style="width: 40%;">[WO2014149753]</td> </tr> <tr> <td>TW201441110</td> <td>A</td> <td>2014-11-01</td> <td>[TW201441110]</td> </tr> <tr> <td>AU2014237822</td> <td>A1</td> <td>2015-07-23</td> <td>[AU2014237822]</td> </tr> <tr> <td>AR095582</td> <td>A1</td> <td>2015-10-28</td> <td>[AR--95582]</td> </tr> <tr> <td>EP2969783</td> <td>A1</td> <td>2016-01-20</td> <td>[EP2969783]</td> </tr> </table> 		WO2014149753	A1	2014-09-25	[WO2014149753]	TW201441110	A	2014-11-01	[TW201441110]	AU2014237822	A1	2015-07-23	[AU2014237822]	AR095582	A1	2015-10-28	[AR--95582]	EP2969783	A1	2016-01-20	[EP2969783]
WO2014149753	A1	2014-09-25	[WO2014149753]																		
TW201441110	A	2014-11-01	[TW201441110]																		
AU2014237822	A1	2015-07-23	[AU2014237822]																		
AR095582	A1	2015-10-28	[AR--95582]																		
EP2969783	A1	2016-01-20	[EP2969783]																		

- **Abstract:**

(EP2969783)

A product includes a container (12, 12', 112, 212, 312, 412, 512, 612, 712) including aneck (18, 18', 118, 218, 318, 418, 518), and a ring (16, 16', 116, 216, 316, 416, 516, 616, 716) non-removably secured to the neck of the container. The ring is used to non-removably couple a fitment (14, 414, 514, 614, 714) to the container and/or may be adapted irreversibly to change a characteristic of the ring that is visible from outside of the container to advise a user that a package has been opened. (From WO2014149753 A1)

